

RecondOil box

Offline oil filtration



Oil cleaning: A simple solution for an invisible problem

A simple, environmentally friendly solution for increased uptime and process availability. Investing in oil cleaning gives your company a better economy.

Offline oil filtration

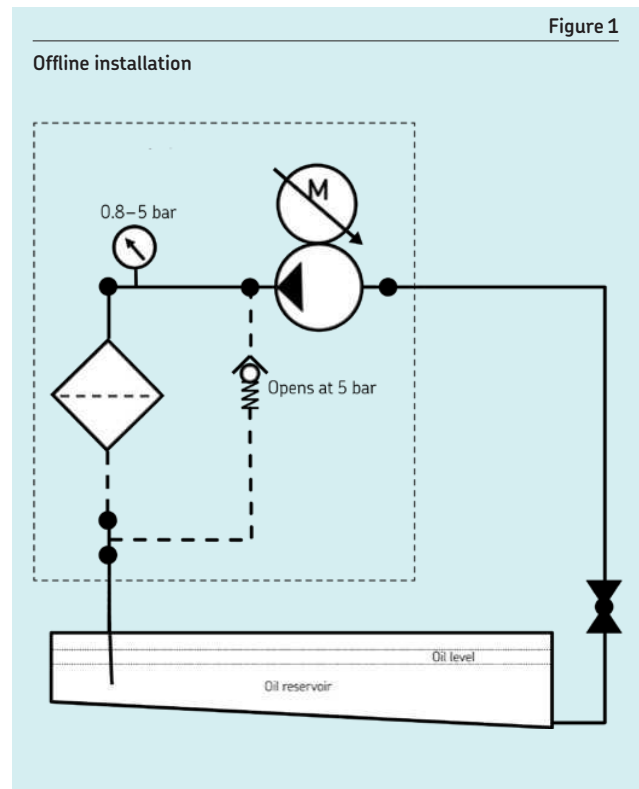
Removes all types of contamination:

- soft and hard particles down to nano-size
- bacteria
- water (free, bound and emulsified)
- sludge and insolubles (e.g. varnish)
- soluble oxidation products (i.e. pre-varnish)

Benefits:

- cost-effective maintenance
- no oil changes = environmentally friendly
- change filters instead of changing oil
- increased machine lifetime
- less downtime
- no oxidation in oil

Technical drawing



ROBX3115DSL



ROBX3125DSL



ROBX3135DSL/B

Technical specification

RecondOil box

Oil temperature:	Max. 80 °C (In case of higher temperatures contact RecondOil)
Working pressure:	0.8–5 bar
Pressure:	Max. 5 bar, relief valve opens at 5 bar
Power consumption:	0.01–0.17 kW (variable speed)
Power supply:	80–230 VAC
Hose connection IN:	1/2" BSP
Hose connection OUT:	1/2" BSP
Installation (see drawing):	Connect as an offline unit. «IN» = hose from tank and «OUT» = hose to tank
Filter insert:	SKF RecondOil DST-activated depth filter (ROBX500DST) or Standard depth filter (ROBX500HY)

Table 1

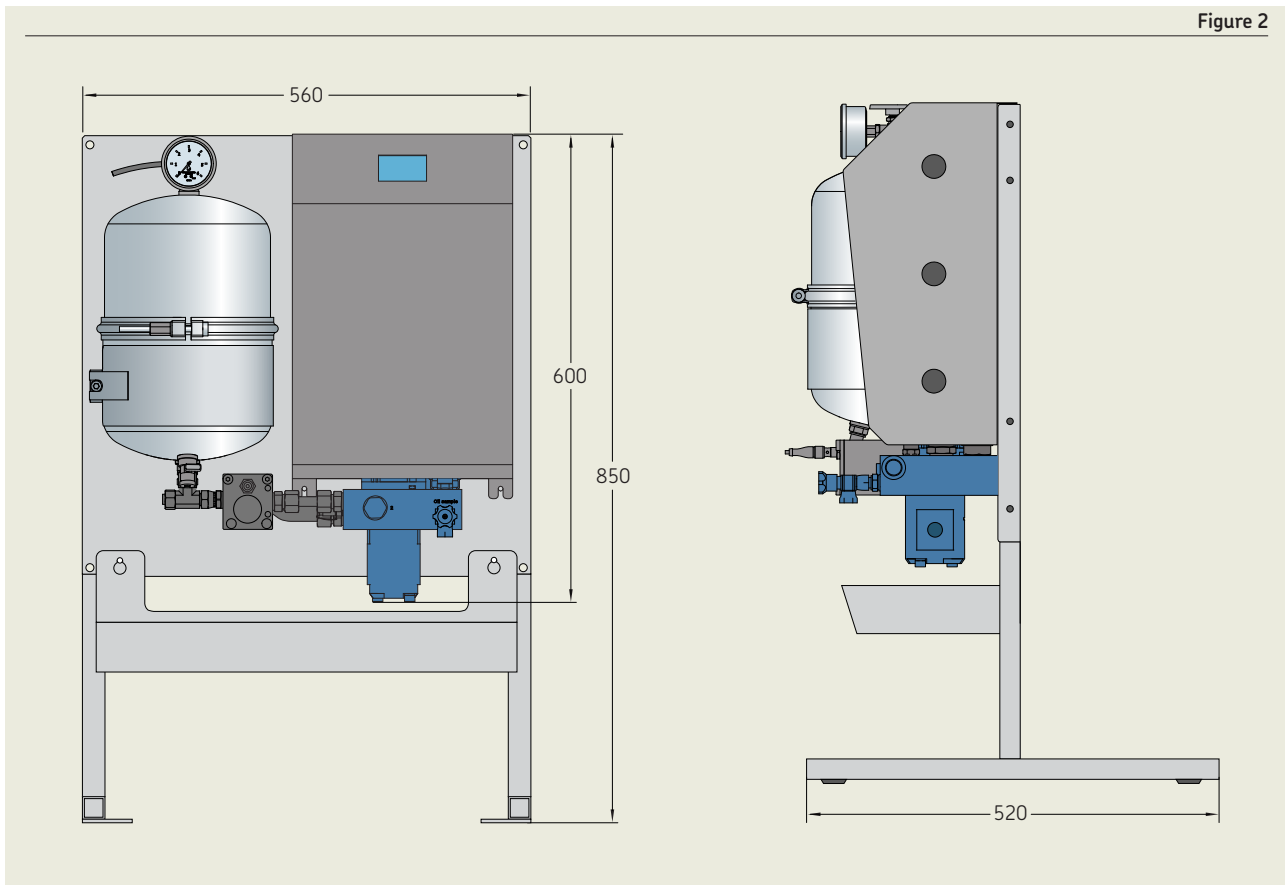
Type designation	Housings	xxx = DSL: Display + Spill tray + Legs					xxx = DS: Display + Spill tray				
		Dry weight	Op weight	Width	Depth	Height	Dry weight	Op weight	Width	Depth	Height
		kg		mm			kg		mm		
Side by side:											
ROBX3115xxx	1	33	42	560	550	850	30	39	560	290	600
ROBX3125xxx	2	46	64	830	550	850	43	61	830	290	600
ROBX3135xxx	3	63	90	1120	550	850	59	86	1120	290	600
ROBX3145xxx	4	76	112	1390	550	850	70	106	1390	290	600
ROBX3155xxx	5	89	134	1660	550	850	83	128	1660	290	600
ROBX3165xxx	6	106	160	1950	550	850	97	151	1950	290	600
ROBX3175xxx	7	119	182	2220	550	850	110	173	2220	290	600
ROBX3185xxx	8	132	204	2490	550	850	123	195	2490	290	600
Back to back:											
ROBX3125xxx/B	2	42	60	560	550	850	-	-	-	-	-
ROBX3135xxx/B	3	51	78	560	550	850	-	-	-	-	-
ROBX3145xxx/B	4	64	100	830	550	850	-	-	-	-	-
ROBX3155xxx/B	5	73	118	830	550	850	-	-	-	-	-
ROBX3165xxx/B	6	90	144	1120	550	850	-	-	-	-	-
ROBX3175xxx/B	7	99	162	1120	550	850	-	-	-	-	-
ROBX3185xxx/B	8	112	184	1390	550	850	-	-	-	-	-

Table 2

Type designation	Housings	xxx = DL: Display + Legs					xxx = D: Display				
		Dry weight	Op weight	Width	Depth	Height	Dry weight	Op weight	Width	Depth	Height
		kg		mm			kg		mm		
Side by side:											
ROBX3115xxx	1	31	40	560	550	850	28	37	560	290	600
ROBX3125xxx	2	43	61	830	550	850	40	58	830	290	600
ROBX3135xxx	3	59	86	1120	550	850	53	80	1120	290	600
ROBX3145xxx	4	71	107	1390	550	850	65	101	1390	290	600
ROBX3155xxx	5	83	128	1660	550	850	77	122	1660	290	600
ROBX3165xxx	6	99	153	1950	550	850	90	144	1950	290	600
ROBX3175xxx	7	111	174	2220	550	850	102	165	2220	290	600
ROBX3185xxx	8	123	195	2490	550	850	114	186	2490	290	600
Back to back:											
ROBX3125xxx/B	2	40	58	560	550	850	-	-	-	-	-
ROBX3135xxx/B	3	49	76	560	550	850	-	-	-	-	-
ROBX3145xxx/B	4	61	97	830	550	850	-	-	-	-	-
ROBX3155xxx/B	5	70	115	830	550	850	-	-	-	-	-
ROBX3165xxx/B	6	86	140	1120	550	850	-	-	-	-	-
ROBX3175xxx/B	7	95	158	1120	550	850	-	-	-	-	-
ROBX3185xxx/B	8	107	179	1390	550	850	-	-	-	-	-

Technical specification for ROB3115DSL

Figure 2



skf.com

© SKF and RECONDOIL are registered trademarks of AB SKF (publ).

© SKF Group 2022. All rights reserved. Please note that this publication may not be copied or distributed, in whole or in part, unless prior written permission is granted.

Every care has been taken to ensure the accuracy of the information contained in this publication, but no liability can be accepted for any loss or damage whether direct, indirect or consequential arising out of the use of the information contained herein.

PUB LS/P8 19315/2 EN · September 2022

Contact Us For More Information.

SLS Bearings (S) Pte Ltd

5 Tuas South Street 15, Singapore 636907

www.slsbearings.com

Visit SLS e-shop : shop.slsbearings.com/sg

Phone : (65) 6515 0515

Email : contact.us@slsbearings.com.sg